



PARTS BREAKDOWN PRESSURE WASHER

MODEL: B4414VGS



BEPOWEREQUIPMENT

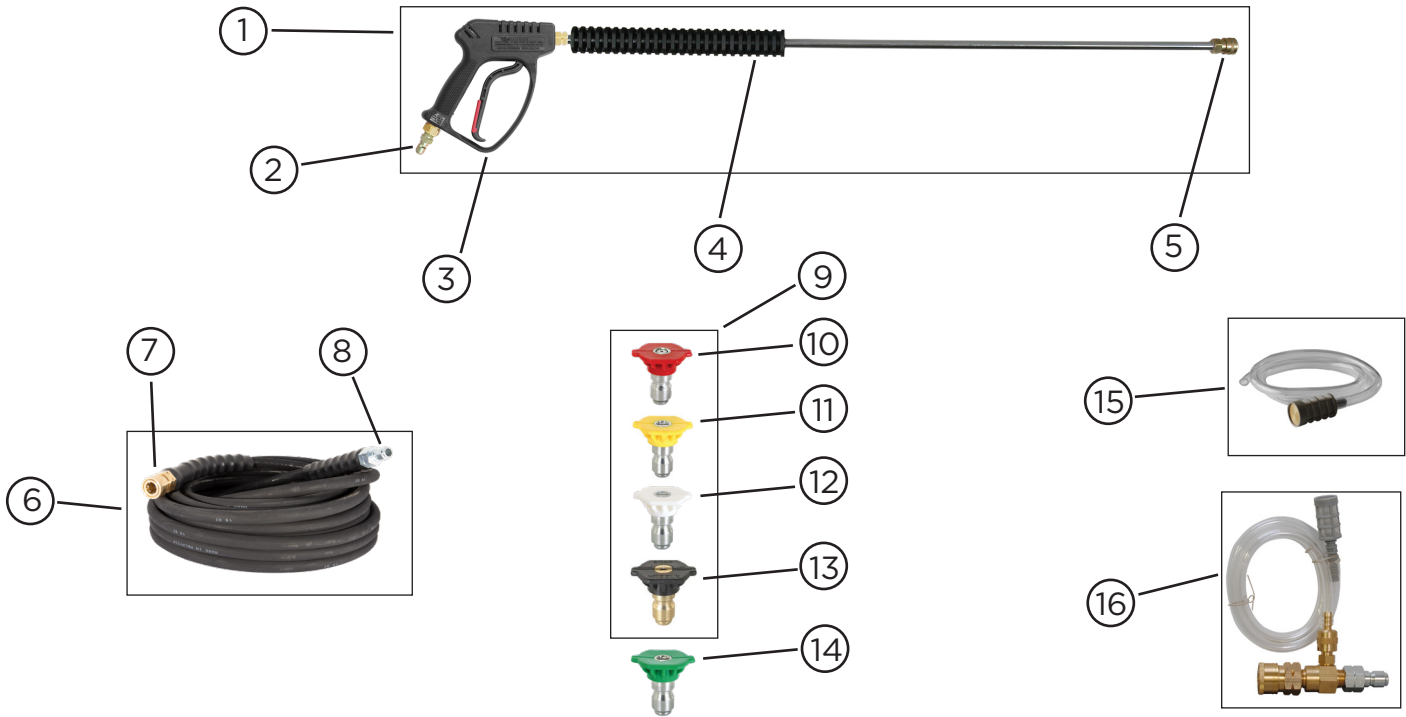
.COM



PARTS BREAKDOWN PRESSURE WASHER

MODEL: B4414VGS

ACCESSORIES COMPONENTS



REF #	DESCRIPTION	QTY	BE PART #
1	SPRAY GUN-WAND ASSEMBLY	1	85.205.026
2	SPRAY GUN PLUG	1	85.300.105
3	SPRAY GUN	1	85.202.109
4	SPRAY WAND	1	85.202.026
5	SPRAY GUN 1/4" COUPLER	1	85.300.102
6	50' X 3/8" HOSE ASSEMBLY	1	85.238.153T
7	3/8" HOSE COUPLER	1	85.300.103
8	3/8" HOSE PLUG	1	85.300.104
9	4 PIECE SPRAY NOZZLE SET, 035 ORIFICE	1	85.210.035
10	0° RED SPRAY NOZZLE, 035 ORIFICE	1	85.201.035
11	15° YELLOW SPRAY NOZZLE, 035 ORIFICE	1	85.216.035
12	40° WHITE SPRAY NOZZLE, 035 ORIFICE	1	85.241.035
13	BLACK SOAPER NOZZLE	1	85.266.400
14	25° GREEN SPRAY NOZZLE, 035 ORIFICE (OPTIONAL)	1	85.226.035
15	SOAP PICK-UP TUBE WITH FILTER	1	85.400.005
16	SOAP INJECTOR ASSEMBLY	1	85.400.000



PARTS BREAKDOWN PRESSURE WASHER

MODEL: B4414VGS

UNIT COMPONENTS



REF #	DESCRIPTION	QTY	BE PART #
1	LEFT HAND HANGER BRACKET	1	85.601.127L
2	FRAME ASSEMBLY (WHEELS NOT INCLUDED)	1	85.600.125S
3	VANGUARD 400 (25V3) ENGINE	1	85.540.140
4	UNLOADER ASSEMBLY	1	85.300.037
5	PUMP ASSEMBLY - GENERAL EZ4040G	1	85.139.021A
6	36" BY-PASS HOSE	1	85.202.078
7	3/8" PUMP OUTLET COUPLER	1	85.300.108
8	ANTI-VIBRATION FOOT PADS	2	85.660.009
9	INLET FILTER	1	85.308.120
10	INLET GARDEN HOSE FILTER FITTING	1	85.300.056
11	12" FLAT FREE WHEEL	1	85.660.053BF
12	WHEEL AXLE NUTS	2	09.000.018
13	THERMAL RELIEF VALVE	1	85.300.023
14	RIGHT HAND HANGER BRACKET	1	85.601.127R

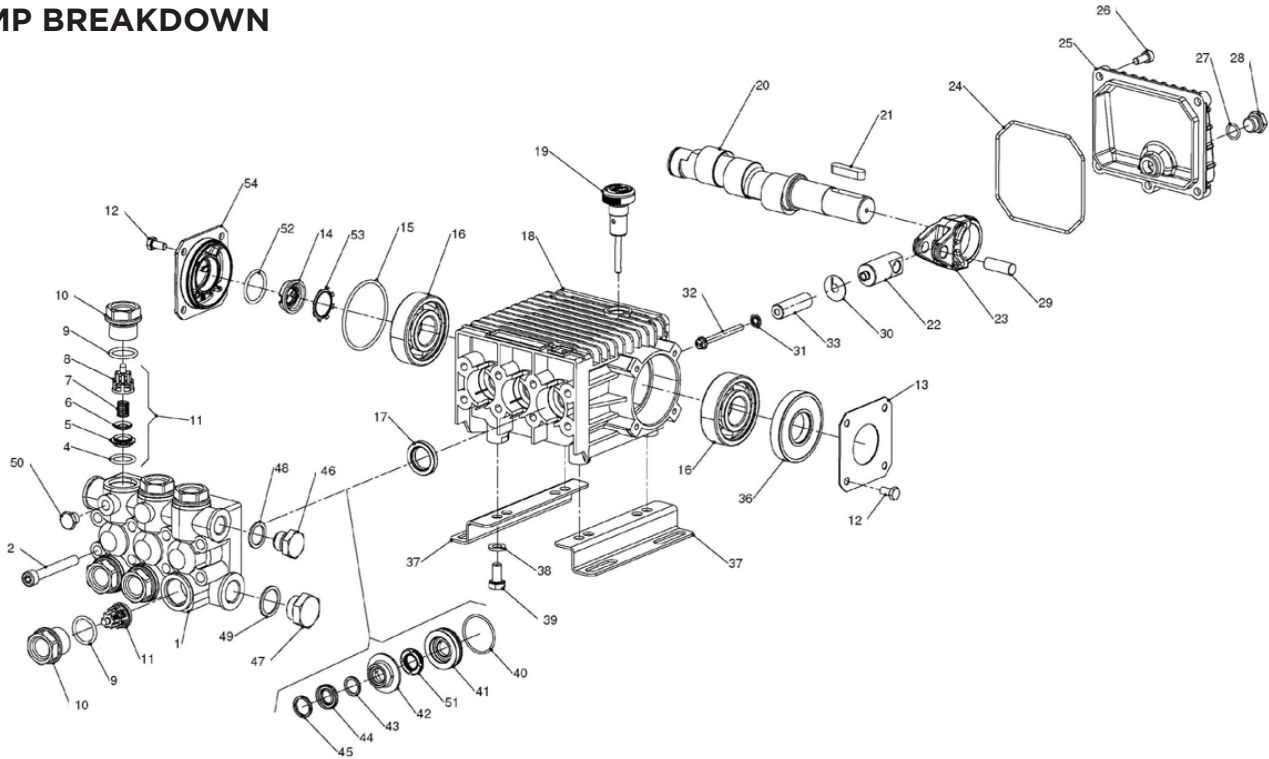
***CHECK WITH VANGUARD FOR 400 (25V3) ENGINE BREAKDOWN AND PARTS**



PARTS BREAKDOWN PRESSURE WASHER

MODEL: B4414VGS

PUMP BREAKDOWN



PARTS LIST

ITEM	PART NO.	DESCRIPTION	KIT NO.	QTY.	ITEM	PART NO.	DESCRIPTION	KIT NO.	QTY.	ITEM	PART NO.	DESCRIPTION	KIT NO.	QTY.
1.	44120641	Manifold		1	20.	44020635	Crankshaft (EZ4040G)		1	38.	96701600	Washer		4
2.	99317500	Screw		8		44020335	Crankshaft (EZ4035G34)		1	39.	99303700	Nut		4
4.	701115	O-ring	123	6		44020035	Crankshaft (EZ4030G34)		1	40.	90361200	O-ring	152,156	3
5.	36200366	Valve Seat	123	6	21.	91489200	Key, Crankshaft		1	41.	44080370	Packing Retainer	152,156	3
6.	36200176	Valve	123	6	22.	44050266	Piston Guide		3	42.	44216270	Intermediate Ring	154,156	3
7.	94737600	Spring	123	6	23.	44030022	Connecting Rod		3	43.	90507600	Packing	153,156	3
8.	36202551	Valve Cage	123	6	24.	90392000	O-ring, Ø101.27x2.62		1	44.	90260200	Packing	153,156	3
9.	701002	O-ring	124	6	25.	44160022	Rear Cover		1	45.	44100251	Head Ring	155,156	3
10.	98222600	Cap Screw	124	6	26.	99183700	Screw, M6x14		5	46.	98210000	Cap Screw		1
11.	36711501	Valve Assembly	123	6	27.	701013	O-ring		1	47.	98217600	Cap Screw		1
12.	99180700	Screw, M6x10		8	28.	98204250	Cap Screw		1	48.	96738000	Washer		1
13.	50150074	Side Bearing Cover		1	29.	97734000	Pin, Ø10x29.5		3	49.	96751400	Washer		1
14.	53210851	Oil Site Glass		1	30.	96699000	Washer, Ø7.5x23x0.5		3	50.	98196600	Cap Screw		1
15.	90389800	O-ring, Ø56.82x2.26		1	31.	96690500	Washer, Ø5x11.5x0.4		3	51.	90260300	Seal, Low Pressure	153,156	1
16.	91833100	Ball Bearing		2	32.	99169000	Screw, M5x55		3	52.	90385900	O-ring Ø 25.07x2.62		1
17.	90161400	Oil Seal	23	3	33.	58040009	Plunger, 13 mm x 42		3	53.	90067100	Stop Ring		1
18.	44010022	Crankcase		1	36.	90164100	Ring, Rad. Ø25x62x10		1	54.	53150022	Side Cover		1
19.	98210300	Oil Dip Stick		1	37.	50200074	Rail		2					

REPAIR KITS

KIT NO.	K23	K123	K124	K152	K153	K154	K155	K156
ITEM NO's INCLUDED IN KIT	17	4, 5, 6, 7, 8, (11)	9, 10	40, 41	43, 44, 51	42	45	40, 41, 42, 43, 44, 45, 51
NUMBER OF ASSEMBLIES IN KIT	3	6	6	3	3	3	3	1
NUMBER OF CYLINDERS KIT WILL SERVICE	3	3	3	3	3	3	3	1

TORQUE SPECS*

Pos.	Ft/lb	N-M
2	14.7	20
10	95.9	130
12	7.3	10
26	7.3	10
28	14.7	20
32	6	4
39	20	15
46	29.4	40
47	29.4	40
50	9.6	13

* Decrease torque by 20% if threads are lubricated

BE

POWER EQUIPMENT

If you need technical assistance call:

1-866-850-6662

(8:00am - 4:30pm PST, Mon - Fri)